

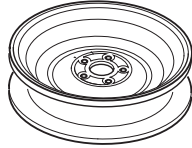


INSTALLATION INSTRUCTIONS

Accessory SPARE TIRE KIT P/N 06421-TR5-A00	Application 2014 CIVIC NGV	Publications No. All 51008
		Issue Date FEB 2014

PARTS LIST

Spare tire rim



Valve stem



Spare tire caution label



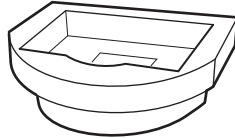
Wing bolt



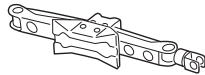
Spacer cone



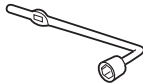
Tool case



Jack



Wheel nut wrench/Jack handle



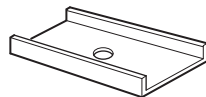
Extension bar



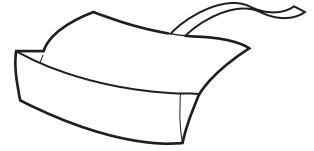
Tire and load information label



Support plate



Tool Pouch



TOOLS AND SUPPLIES REQUIRED

Isopropyl alcohol

Shop towel

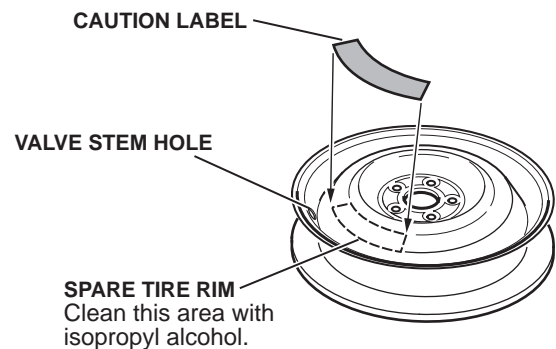
INSTALLATION

Customer Information: The information in this installation instruction is intended for use only by skilled technicians who have the proper tools, equipment, and training to correctly and safely add equipment to your vehicle. These procedures should not be attempted by "do-it-yourselfers."

NOTE:

- Be careful not to scratch the interior trim when installing the spare tire kit.
- Install the correct size tire.
- Use a tire changer, and the Operation Manual furnished with the tire changer to install the spare tire to the spare tire rim.
- Give all the removed parts to your customer.

1. Using isopropyl alcohol on a shop towel, clean the spare tire rim in the area shown.

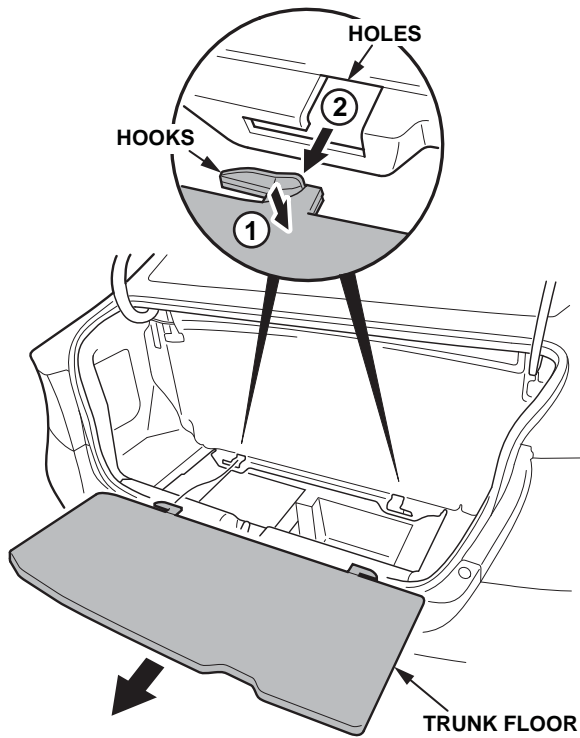


2. Remove the adhesive backing from the caution label, and attach the caution label to the spare tire rim in the area shown.

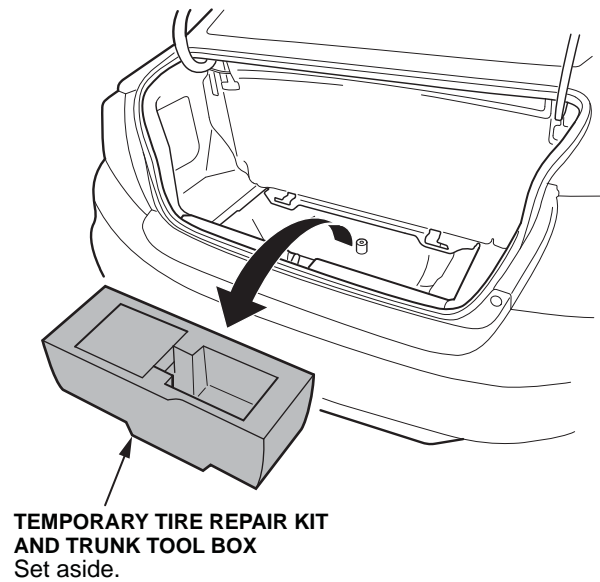
3. Use a tire changer to install the spare tire (sold separately) onto the spare tire rim. Inflate the spare tire to 60 psi (420 kPa, 4.2 kgf/cm²).

Installing the Spare Tire Kit

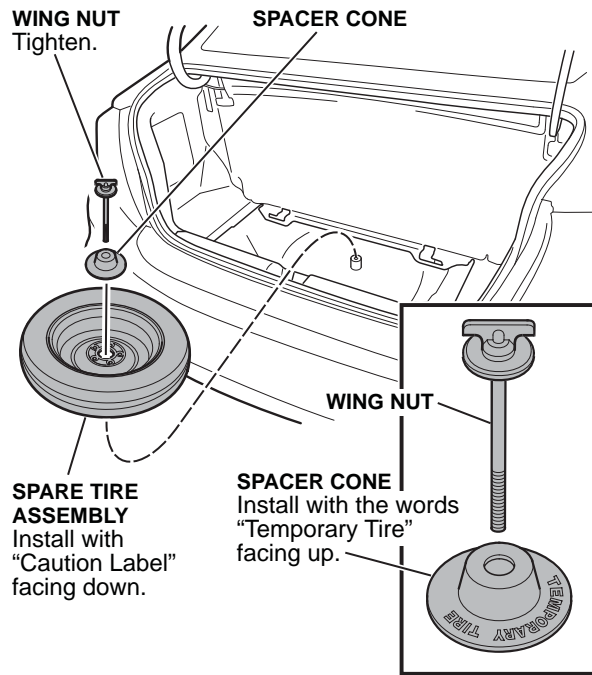
4. Open the trunk lid.
5. Remove the trunk lid cover.



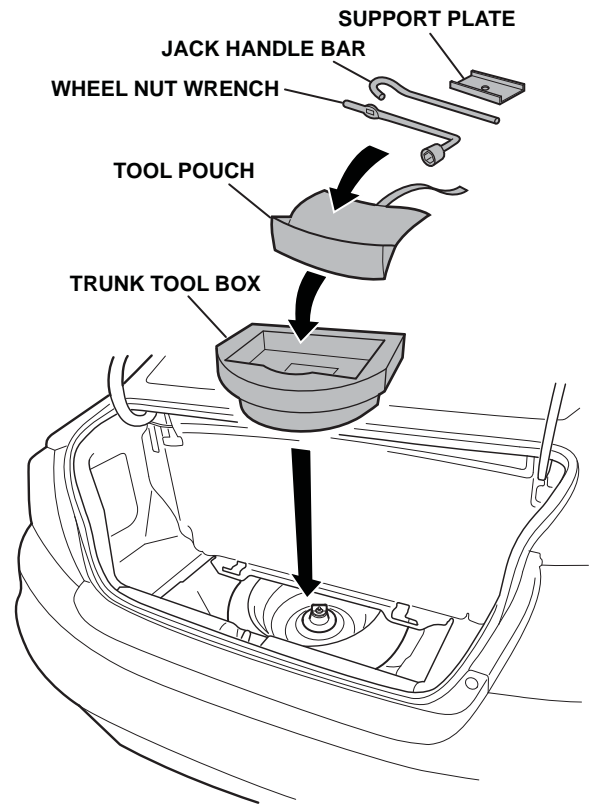
6. Remove the temporary tire repair kit and set it aside, it will not be reused.



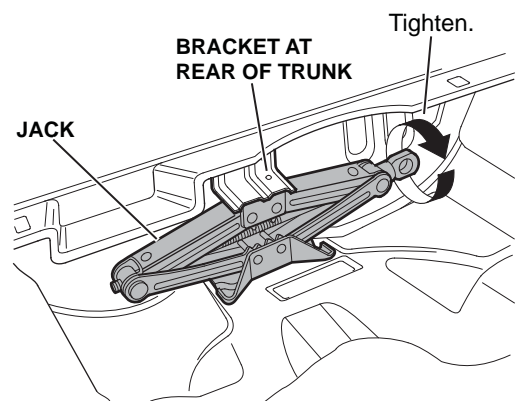
- Install the spare tire assembly into the cargo area (label side down), and secure it to the vehicle using the spacer cone and the wing nut provided. Tighten the wing nut securely.



- Assemble the tools in the tool case, and install the tool case in the trunk tool box. Place the trunk tool box on top of the spare tire as shown.

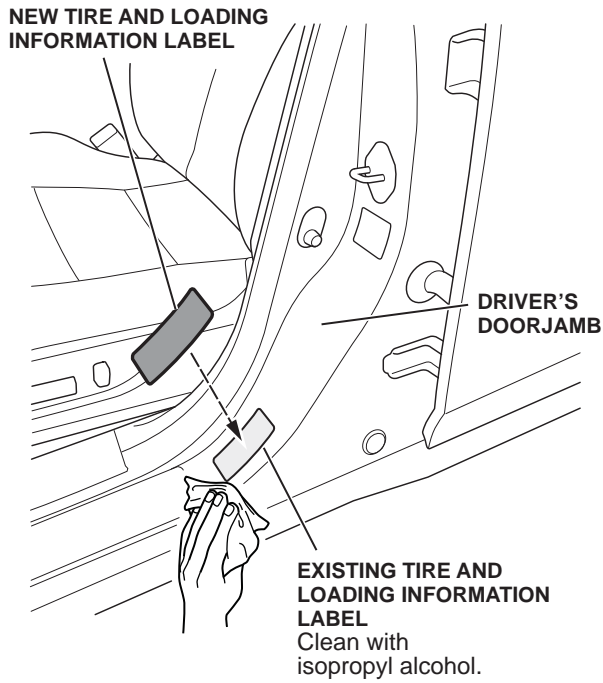


- Install the jack into the bracket at the rear of the trunk. Tighten the jack to keep it locked in place.



- Reinstall the trunk lid cover.

11. Open the driver's door, and locate the TIRE AND LOADING INFORMATION label on the doorjamb. Using isopropyl alcohol on a shop towel, clean the doorjamb over the existing label.



12. Remove the adhesive label from the new TIRE AND LOADING INFORMATION label, and attach it over the existing label.
13. Give all removed parts to the customer.